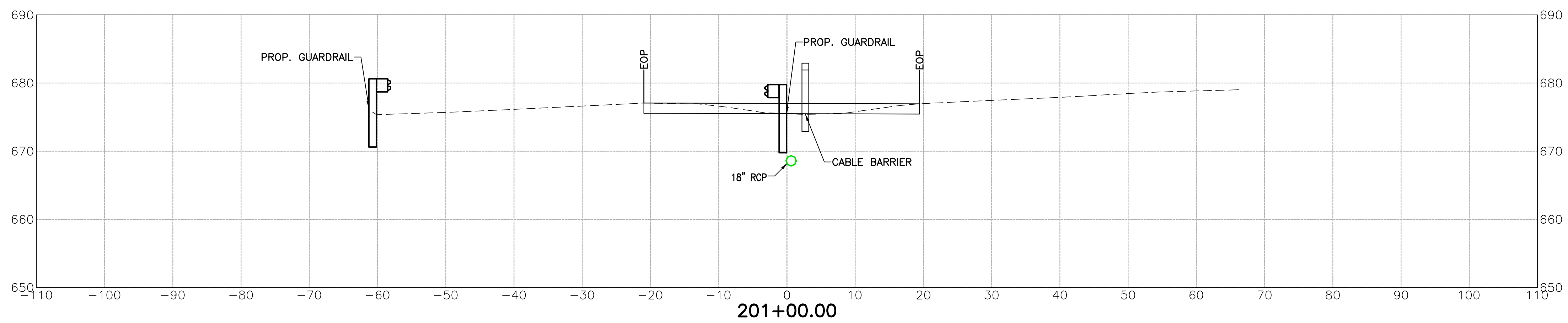
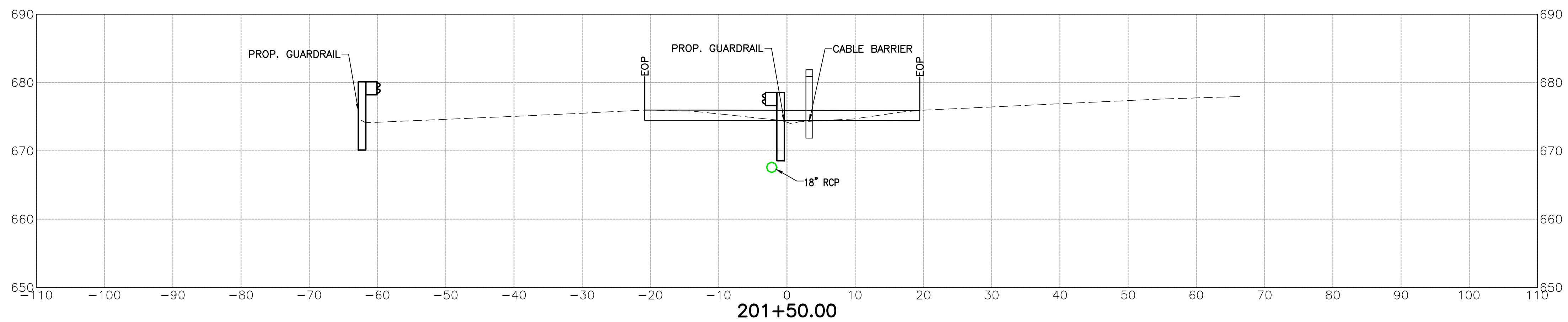
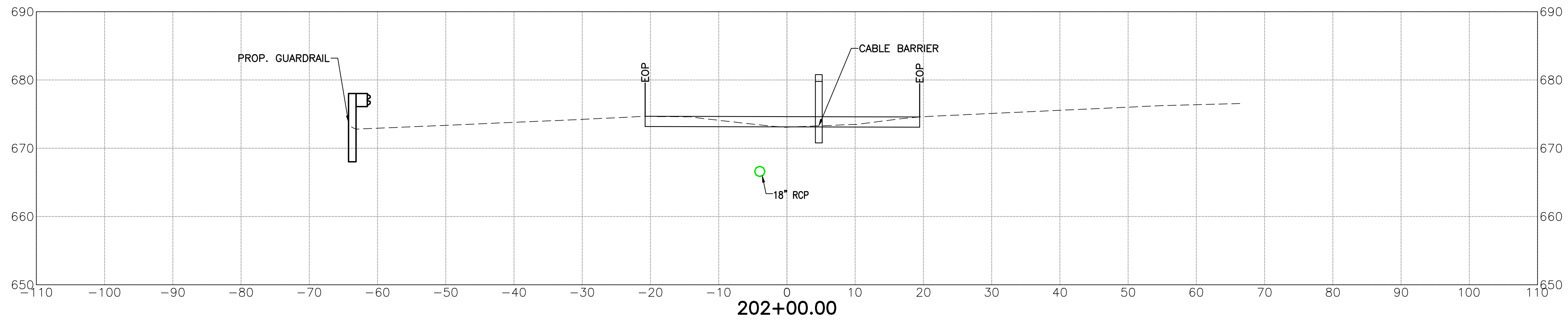


REVISIONS		
REV. NO.	DESCRIPTION	DATE



V:\MIS\2012\2000-07\0001 EC-1414 US-64 Book 3\CAD\Cross\Sta\12-2000-07\XSECTIONS.dwg Job: 12, 2017 - 11:17am wpm/ak

DESIGN	DLA	11/16	TULSA COUNTY	US-64 OVER 97TH W. AVE.
DRAWN	SDK	11/16	OKLAHOMA DEPARTMENT OF TRANSPORTATION	
CHECKED	HRA	11/16	CROSS SECTIONS STA. 201+00 TO STA. 202+00	
APPROVED				
WALTER P MOORE			STATE JOB NO. 28884(04)	SHEET NO. XS07